

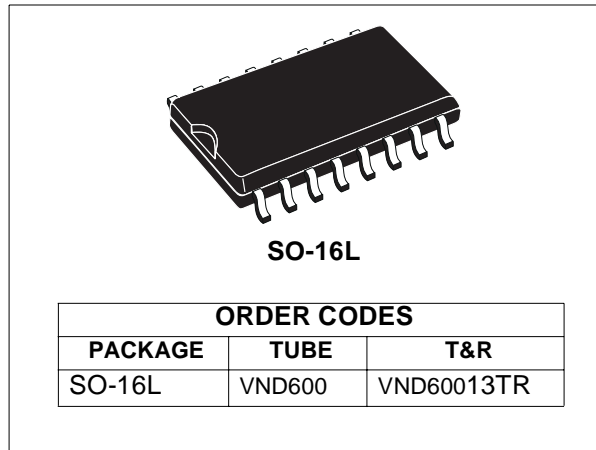
## DOUBLE CHANNEL HIGH SIDE SOLID STATE RELAY

| TYPE   | $R_{DS(on)}$ | $I_{lim}$ | $V_{CC}$ |
|--------|--------------|-----------|----------|
| VND600 | 35m $\Omega$ | 25A       | 36 V     |

- DC SHORT CIRCUIT CURRENT: 25 A
- CMOS COMPATIBLE INPUTS
- PROPORTIONAL LOAD CURRENT SENSE
- UNDERVOLTAGE AND OVERVOLTAGE SHUT-DOWN
- OVERVOLTAGE CLAMP
- THERMAL SHUT DOWN
- CURRENT LIMITATION
- VERY LOW STAND-BY POWER DISSIPATION
- PROTECTION AGAINST:
  - LOSS OF GROUND AND LOSS OF  $V_{CC}$
- REVERSE BATTERY PROTECTION (\*)

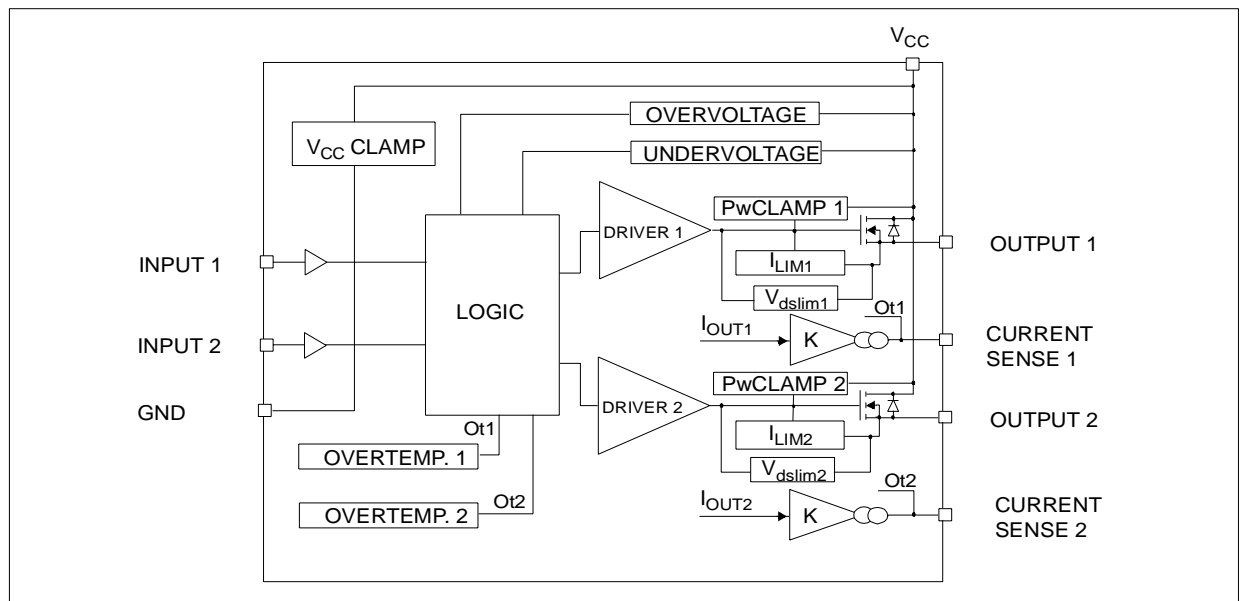
### DESCRIPTION

The VND600 is a monolithic device made using STMicroelectronics VIPower M0-3 technology. It is intended for driving resistive or inductive loads with one side connected to ground. Active  $V_{CC}$  pin voltage clamp protects the device against low energy spikes (see ISO7637 transient



compatibility table). This device has two channels in high side configuration; each channel has an analog sense output on which the sensing current is proportional (according to a known ratio) to the corresponding load current. Built-in thermal shut-down and outputs current limitation protect the chip from over temperature and short circuit. Device turns off in case of ground pin disconnection.

### BLOCK DIAGRAM



(\*) See application schematic at page 8

**ABSOLUTE MAXIMUM RATING**

| Symbol     | Parameter   | Value              | Unit       |
|------------|---|--------------------|------------|
| $V_{CC}$   | DC supply voltage   | 41                 | V          |
| $-V_{CC}$  | Reverse supply voltage  | -0.3               | V          |
| $-I_{GND}$ | DC reverse ground pin current   | -200               | mA         |
| $I_{OUT}$  | Output current  | Internally limited | A          |
| $I_R$      | Reverse output current  | -21                | A          |
| $I_{IN}$   | Input current   | +/- 10             | mA         |
| $V_{ESD}$  | Electrostatic Discharge (Human Body Model: R=1.5KΩ; C=100pF)  |                    |            |
|            | - INPUT   | 4000               | V          |
|            | - CURRENT SENSE   | 2000               | V          |
|            | - OUTPUT  | 5000               | V          |
|            | - $V_{CC}$  | 5000               | V          |
| $E_{MAX}$  | Maximum Switching Energy<br>( $L=0.12mH$ ; $R_L=0\Omega$ ; $V_{bat}=13.5V$ ; $T_{jstart}=150^\circ C$ ; $I_L=40A$ ) | 136                | mJ         |
| $P_{tot}$  | Power dissipation at $T_c=25^\circ C$   | 8.3                | W          |
| $T_j$      | Junction operating temperature  | Internally limited | $^\circ C$ |
| $T_c$      | Case operating temperature  | -40 to 150         | $^\circ C$ |
| $T_{STG}$  | Storage temperature   | -55 to 150         | $^\circ C$ |

**CONFIGURATION DIAGRAM (TOP VIEW) & SUGGESTED CONNECTIONS FOR UNUSED AND N.C. PINS**

$V_{CC}$

N.C.

GND

INPUT 2

INPUT 1

C. SENSE 1

C. SENSE 2

$V_{CC}$

$V_{CC}$

OUTPUT 2

OUTPUT 2

OUTPUT 1

OUTPUT 1

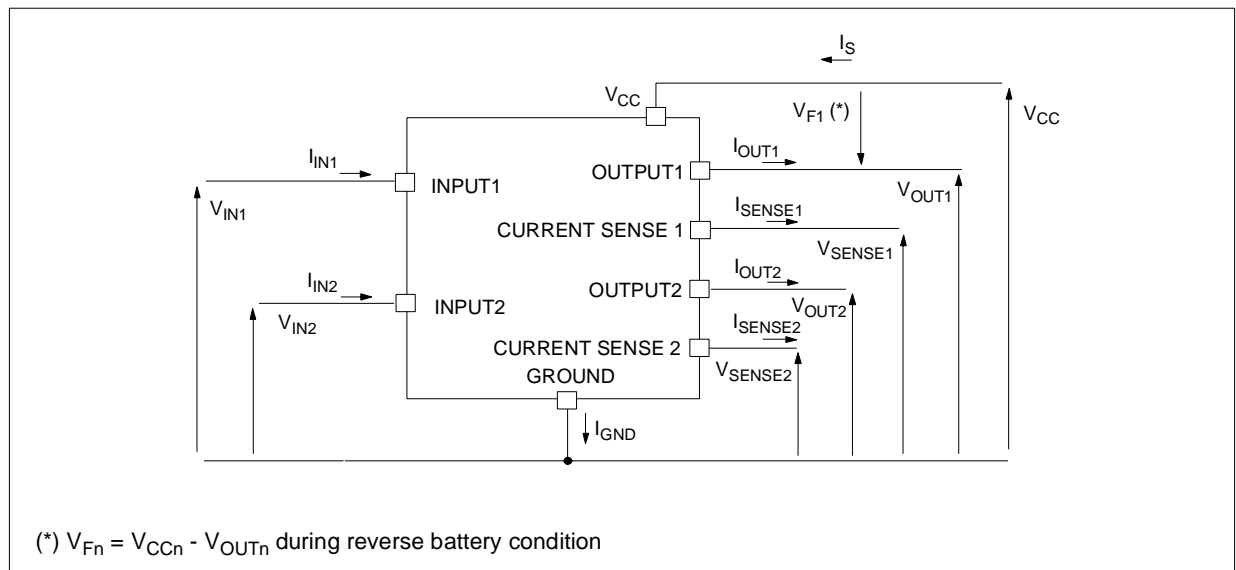
OUTPUT 1

$V_{CC}$

| Connection / Pin | Current Sense        | N.C. | Output | Input                 |
|------------------|----------------------|------|--------|-----------------------|
| Floating         |                      | X    | X      | X                     |
| To Ground        | Through 1KΩ resistor | X    |        | Through 10KΩ resistor |

**SO-16L**

**CURRENT AND VOLTAGE CONVENTIONS**



## THERMAL DATA

| Symbol         | Parameter                                 | Value             | Unit |
|----------------|---|-------------------|------|
| $R_{thj-lead}$ | Thermal resistance junction-lead (MAX)    | 15                | °C/W |
| $R_{thj-amb}$  | Thermal resistance junction-ambient (MAX) | 65 (*)    48 (**) | °C/W |

(\*) When mounted on a standard single-sided FR-4 board with 0.5cm<sup>2</sup> of Cu (at least 35µm thick). Horizontal mounting and no artificial air flow.

(\*\*) When mounted on a standard single-sided FR-4 board with 6 cm<sup>2</sup> of Cu (at least 35µm thick). Horizontal mounting and no artificial air flow.

ELECTRICAL CHARACTERISTICS (8V < V<sub>CC</sub> < 36V; -40°C < T<sub>j</sub> < 150°C; unless otherwise specified)

(Per each channel)

## POWER

| Symbol                | Parameter                | Test Conditions   | Min | Typ      | Max             | Unit     |
|-----------------------|--------------------------|---|-----|----------|-----------------|----------|
| V <sub>CC</sub> (**)  | Operating supply voltage |   | 5.5 | 13       | 36              | V        |
| V <sub>USD</sub> (**) | Undervoltage shutdown    |   | 3   | 4        | 5.5             | V        |
| V <sub>OV</sub> (**)  | Overvoltage shutdown     |   | 36  |          |                 | V        |
| R <sub>ON</sub>       | On state resistance      | I <sub>OUT</sub> =5A; T <sub>j</sub> =25°C<br>I <sub>OUT</sub> =5A; T <sub>j</sub> =150°C<br>I <sub>OUT</sub> =3A; V <sub>CC</sub> =6V  |     |          | 35<br>70<br>120 | mΩ       |
| V <sub>clamp</sub>    | Clamp voltage            | I <sub>CC</sub> =20 mA (see note 1)   | 41  | 48       | 55              | V        |
| I <sub>S</sub> (**)   | Supply current           | Off State; V <sub>CC</sub> =13V; V <sub>IN</sub> =V <sub>OUT</sub> =0V<br>Off State; V <sub>CC</sub> =13V; V <sub>IN</sub> =V <sub>OUT</sub> =0V; T <sub>j</sub> =25°C<br>On state; V <sub>IN</sub> =5V; V <sub>CC</sub> =13V; I <sub>OUT</sub> =0A;<br>R <sub>SENSE</sub> =3.9kΩ |     | 12<br>12 | 40<br>25        | µA<br>µA |
| I <sub>L(off1)</sub>  | Off state output current | V <sub>IN</sub> =V <sub>OUT</sub> =0V   | 0   |          | 50              | µA       |
| I <sub>L(off2)</sub>  | Off State Output Current | V <sub>IN</sub> =0V; V <sub>OUT</sub> =3.5V   | -75 |          | 0               | µA       |
| I <sub>L(off3)</sub>  | Off State Output Current | V <sub>IN</sub> =V <sub>OUT</sub> =0V; V <sub>CC</sub> =13V; T <sub>j</sub> =125°C  |     |          | 5               | µA       |
| I <sub>L(off4)</sub>  | Off State Output Current | V <sub>IN</sub> =V <sub>OUT</sub> =0V; V <sub>CC</sub> =13V; T <sub>j</sub> =25°C   |     |          | 3               | µA       |

(\*\*) Per device.

## PROTECTIONS (Per each channel) (See note 1)

| Symbol             | Parameter                      | Test Conditions   | Min                 | Typ                 | Max                 | Unit   |
|--------------------|--------------------------------|---|---------------------|---------------------|---------------------|--------|
| I <sub>lim</sub>   | DC short circuit current       | V <sub>CC</sub> =13V<br>5.5V < V <sub>CC</sub> < 36V      | 25                  | 40                  | 70<br>70            | A<br>A |
| T <sub>TSD</sub>   | Thermal shut-down temperature  |   | 150                 | 175                 | 200                 | °C     |
| T <sub>R</sub>     | Thermal reset temperature      |   | 135                 |                     |                     | °C     |
| T <sub>HYST</sub>  | Thermal hysteresis             |   | 7                   | 15                  |                     | °C     |
| V <sub>demag</sub> | Turn-off output voltage clamp  | I <sub>OUT</sub> =2A; V <sub>IN</sub> =0V; L=6mH          | V <sub>CC</sub> -41 | V <sub>CC</sub> -48 | V <sub>CC</sub> -55 | V      |
| V <sub>ON</sub>    | Output voltage drop limitation | I <sub>OUT</sub> =0.5A<br>T <sub>j</sub> = -40°C...+150°C |                     | 50                  |                     | mV     |

Note 1: To ensure long term reliability under heavy overload or short circuit conditions, protection and related diagnostic signals must be used together with a proper software strategy. If the device is subjected to abnormal conditions, this software must limit the duration and number of activation cycles.

## VCC - OUTPUT DIODE

| Symbol         | Parameter          | Test Conditions                                | Min | Typ | Max | Unit |
|----------------|--------------------|--|-----|-----|-----|------|
| V <sub>F</sub> | Forward on Voltage | -I <sub>OUT</sub> =2.3A; T <sub>j</sub> =150°C |     |     | 0.6 | V    |

**ELECTRICAL CHARACTERISTICS** (continued)

CURRENT SENSE ( $9V \leq V_{CC} \leq 16V$ ) (See fig. 1)

| Symbol         | Parameter  | Test Conditions  | Min          | Typ          | Max          | Unit     |
|----------------|--|--|--------------|--------------|--------------|----------|
| $K_1$          | $I_{OUT}/I_{SENSE}$  | $I_{OUT1}$ or $I_{OUT2}=0.5A$ ; $V_{SENSE}=0.5V$ ; other channels open; $T_j = -40^\circ C \dots 150^\circ C$                    | 3300         | 4400         | 6000         |          |
| $dK_1/K_1$     | Current Sense Ratio Drift                                  | $I_{OUT1}$ or $I_{OUT2}=0.5A$ ; $V_{SENSE}=0.5V$ ; other channels open; $T_j = -40^\circ C \dots 150^\circ C$                    | -10          |              | +10          | %        |
| $K_2$          | $I_{OUT}/I_{SENSE}$  | $I_{OUT1}$ or $I_{OUT2}=5A$ ; $V_{SENSE}=4V$ ; other channels open; $T_j = -40^\circ C$<br>$T_j = 25^\circ C \dots 150^\circ C$  | 4200<br>4400 | 4900<br>4900 | 6000<br>5750 |          |
| $dK_2/K_2$     | Current Sense Ratio Drift                                  | $I_{OUT1}$ or $I_{OUT2}=5A$ ; $V_{SENSE}=4V$ ; other channels open; $T_j = -40^\circ C \dots 150^\circ C$                        | -6           |              | +6           | %        |
| $K_3$          | $I_{OUT}/I_{SENSE}$  | $I_{OUT1}$ or $I_{OUT2}=15A$ ; $V_{SENSE}=4V$ ; other channels open; $T_j = -40^\circ C$<br>$T_j = 25^\circ C \dots 150^\circ C$ | 4200<br>4400 | 4900<br>4900 | 5500<br>5250 |          |
| $dK_3/K_3$     | Current Sense Ratio Drift                                  | $I_{OUT1}$ or $I_{OUT2}=15A$ ; $V_{SENSE}=4V$ ; other channels open; $T_j = -40^\circ C \dots 150^\circ C$                       | -6           |              | +6           | %        |
| $V_{SENSE1,2}$ | Max analog sense output voltage                            | $V_{CC}=5.5V$ ; $I_{OUT1,2}=2.5A$ ; $R_{SENSE}=10k\Omega$<br>$V_{CC}>8V$ , $I_{OUT1,2}=5A$ ; $R_{SENSE}=10k\Omega$               | 2<br>4       |              |              | V<br>V   |
| $V_{SENSEH}$   | Analog sense output voltage in overtemperature condition   | $V_{CC}=13V$ ; $R_{SENSE}=3.9k\Omega$  |              | 5.5          |              | V        |
| $R_{VSENSEH}$  | Analog Sense Output Impedance in Overtemperature Condition | $V_{CC}=13V$ ; $T_j > T_{TSD}$ ; All channels Open   |              | 400          |              | $\Omega$ |
| $t_{DSENSE}$   | Current sense delay response                               | to 90% $I_{SENSE}$ (see note 2)  |              |              | 500          | $\mu s$  |

LOGIC INPUT (Channels 1,2)

| Symbol         | Parameter                | Test Conditions               | Min  | Typ         | Max  | Unit    |
|----------------|--------------------------|-------------------------------|------|-------------|------|---------|
| $V_{IL}$       | Input low level voltage  |                               |      |             | 1.25 | V       |
| $I_{IL}$       | Low level input current  | $V_{IN}=1.25V$                | 1    |             |      | $\mu A$ |
| $V_{IH}$       | Input high level voltage |                               | 3.25 |             |      | V       |
| $I_{IH}$       | High level input current | $V_{IN}=3.25V$                |      |             | 10   | $\mu A$ |
| $V_{I(thyst)}$ | Input hysteresis voltage |                               | 0.5  |             |      | V       |
| $V_{ICL}$      | Input clamp voltage      | $I_{IN}=1mA$<br>$I_{IN}=-1mA$ | 6    | 6.8<br>-0.7 | 8    | V<br>V  |

Note 1:  $V_{clamp}$  and  $V_{OV}$  are correlated. Typical difference is 5V.

Note 2: current sense signal delay after positive input slope.

SWITCHING ( $V_{CC}=13V$ )

| Symbol                | Parameter              | Test Conditions                | Min | Typ                  | Max | Unit       |
|-----------------------|------------------------|--------------------------------|-----|----------------------|-----|------------|
| $t_{d(on)}$           | Turn-on delay time     | $R_L=2.6\Omega$ (see figure 1) |     | 30                   |     | $\mu s$    |
| $t_{d(off)}$          | Turn-off delay time    | $R_L=2.6\Omega$ (see figure 1) |     | 30                   |     | $\mu s$    |
| $(dV_{OUT}/dt)_{on}$  | Turn-on voltage slope  | $R_L=2.6\Omega$ (see figure 1) |     | See relative diagram |     | V/ $\mu s$ |
| $(dV_{OUT}/dt)_{off}$ | Turn-off voltage slope | $R_L=2.6\Omega$ (see figure 1) |     | See relative diagram |     | V/ $\mu s$ |

**TRUTH TABLE** (per channel)

| CONDITIONS                    | INPUT | OUTPUT | SENSE                          |
|-------------------------------|-------|--------|--------------------------------|
| Normal operation              | L     | L      | 0                              |
|                               | H     | H      | Nominal                        |
| Overtemperature               | L     | L      | 0                              |
|                               | H     | L      | $V_{SENSEH}$                   |
| Undervoltage                  | L     | L      | 0                              |
|                               | H     | L      | 0                              |
| Overvoltage                   | L     | L      | 0                              |
|                               | H     | L      | 0                              |
| Short circuit to GND          | L     | L      | 0                              |
|                               | H     | L      | $(T_j < T_{TSD})$ 0            |
|                               | H     | L      | $(T_j > T_{TSD})$ $V_{SENSEH}$ |
| Short circuit to $V_{CC}$     | L     | H      | 0                              |
|                               | H     | H      | < Nominal                      |
| Negative output voltage clamp | L     | L      | 0                              |

**ELECTRICAL TRANSIENT REQUIREMENTS**

| ISO T/R 7637/1<br>Test Pulse | TEST LEVELS |         |         |         | Delays and Impedance |
|------------------------------|-------------|---------|---------|---------|----------------------|
|                              | I           | II      | III     | IV      |                      |
| 1                            | -25 V       | -50 V   | -75 V   | -100 V  | 2 ms 10 Ω            |
| 2                            | +25 V       | +50 V   | +75 V   | +100 V  | 0.2 ms 10 Ω          |
| 3a                           | -25 V       | -50 V   | -100 V  | -150 V  | 0.1 μs 50 Ω          |
| 3b                           | +25 V       | +50 V   | +75 V   | +100 V  | 0.1 μs 50 Ω          |
| 4                            | -4 V        | -5 V    | -6 V    | -7 V    | 100 ms, 0.01 Ω       |
| 5                            | +26.5 V     | +46.5 V | +66.5 V | +86.5 V | 400 ms, 2 Ω          |

| ISO T/R 7637/1<br>Test Pulse | TEST LEVELS RESULTS |    |     |    |
|------------------------------|---------------------|----|-----|----|
|                              | I                   | II | III | IV |
| 1                            | C                   | C  | C   | C  |
| 2                            | C                   | C  | C   | C  |
| 3a                           | C                   | C  | C   | C  |
| 3b                           | C                   | C  | C   | C  |
| 4                            | C                   | C  | C   | C  |
| 5                            | C                   | E  | E   | E  |

| CLASS | CONTENTS  |
|-------|---|
| C     | All functions of the device are performed as designed after exposure to disturbance.  |
| E     | One or more functions of the device is not performed as designed after exposure to disturbance and cannot be returned to proper operation without replacing the device. |

**Figure 1: Switching Characteristics (Resistive load  $R_L=2.6\Omega$ )**

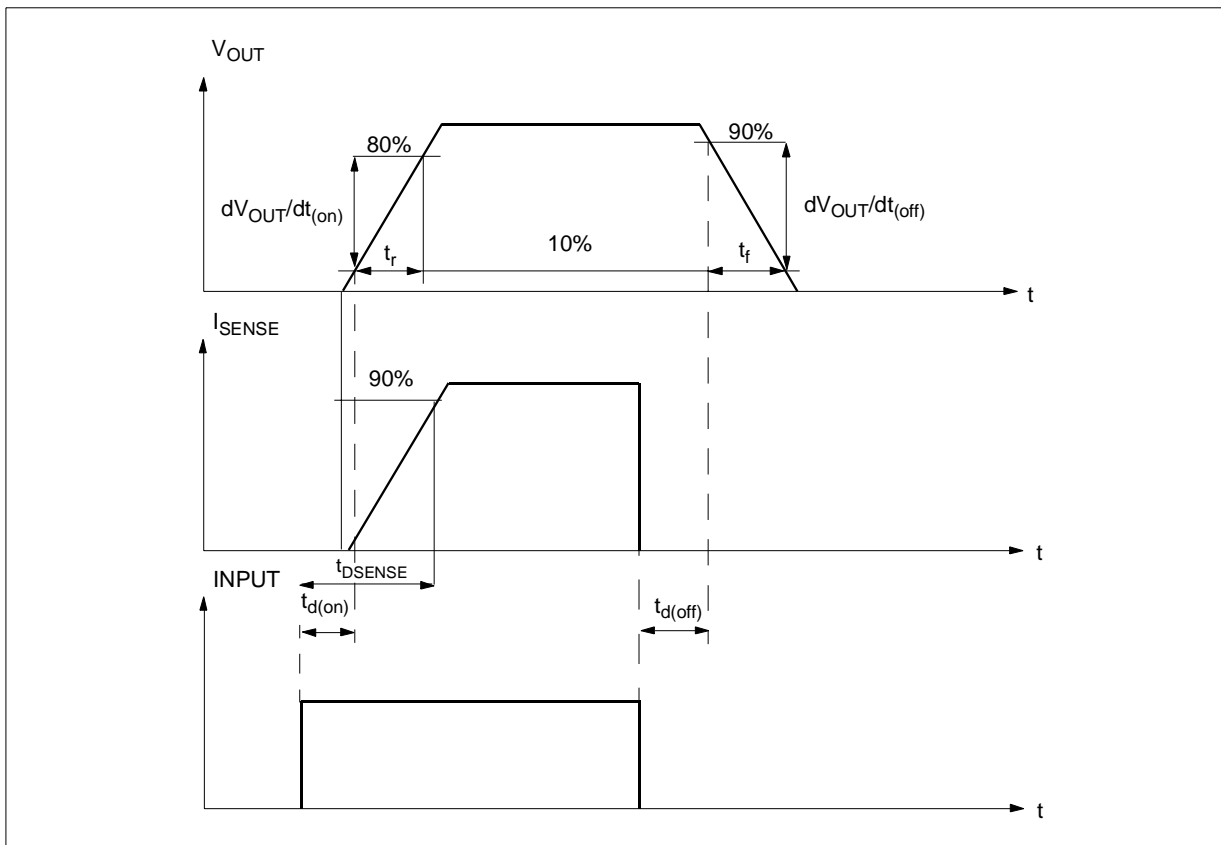
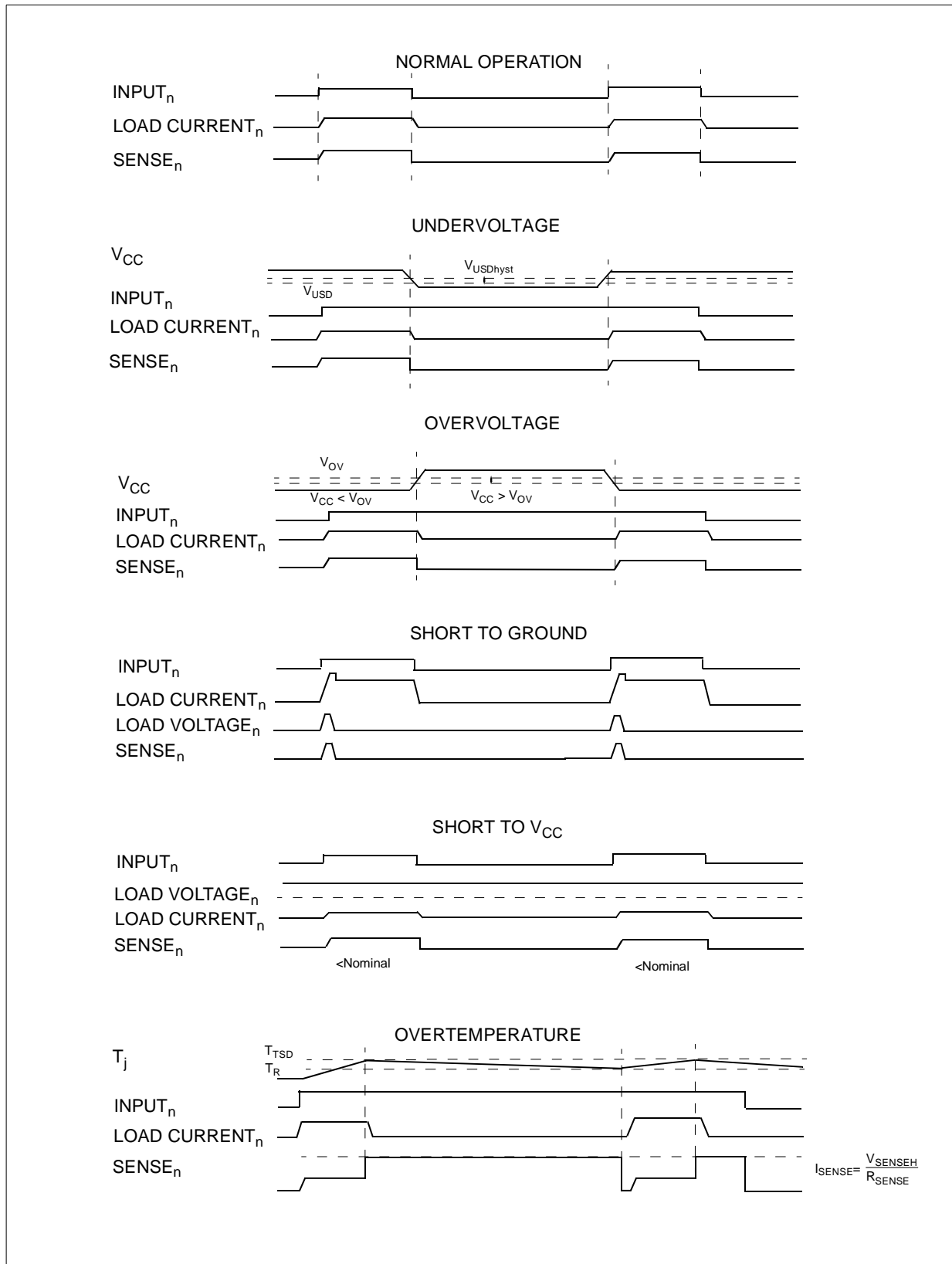
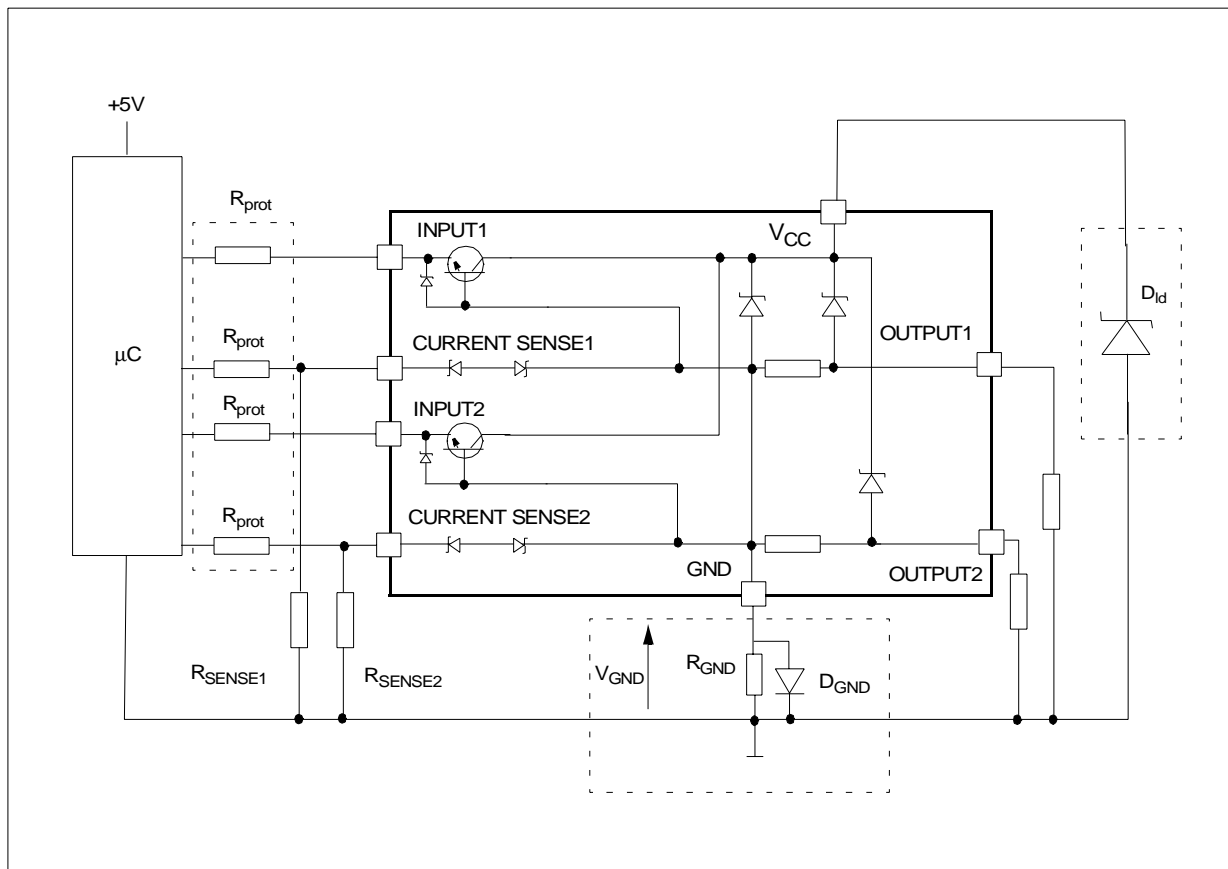


Figure 2: Waveforms



## APPLICATION SCHEMATIC

**GND PROTECTION NETWORK AGAINST REVERSE BATTERY**

**Solution 1:** Resistor in the ground line ( $R_{GND}$  only). This can be used with any type of load.

The following is an indication on how to dimension the  $R_{GND}$  resistor.

- 1)  $R_{GND} \leq 600\text{mV} / I_{S(ON)max}$
- 2)  $R_{GND} \geq (-V_{CC}) / (-I_{GND})$

where  $-I_{GND}$  is the DC reverse ground pin current and can be found in the absolute maximum rating section of the device's datasheet.

Power Dissipation in  $R_{GND}$  (when  $V_{CC} < 0$ : during reverse battery situations) is:

$$P_D = (-V_{CC})^2 / R_{GND}$$

This resistor can be shared amongst several different HSD. Please note that the value of this resistor should be calculated with formula (1) where  $I_{S(ON)max}$  becomes the sum of the maximum on-state currents of the different devices.

Please note that if the microprocessor ground is not common with the device ground then the  $R_{GND}$  will produce a shift ( $I_{S(ON)max} * R_{GND}$ ) in the input thresholds and the status output values. This shift will vary depending on how many devices are ON in the case of several high side drivers sharing the same  $R_{GND}$ .

If the calculated power dissipation leads to a large resistor or several devices have to share the same resistor then the ST suggests to utilize Solution 2 (see below).

**Solution 2:** A diode ( $D_{GND}$ ) in the ground line.

A resistor ( $R_{GND} = 1\text{k}\Omega$ ) should be inserted in parallel to  $D_{GND}$  if the device will be driving an inductive load.

This small signal diode can be safely shared amongst several different HSDs. Also in this case, the presence of the ground network will produce a shift ( $\approx 600\text{mV}$ ) in the input thresholds and the status output values if the microprocessor ground is not common with the device ground. This shift will not vary if more than one HSD shares the same diode/resistor network.

Series resistor in INPUT and STATUS lines are also required to prevent that, during battery voltage transient, the current exceeds the Absolute Maximum Rating.

Safest configuration for unused INPUT and STATUS pin is to leave them unconnected.

**LOAD DUMP PROTECTION**

$D_{Id}$  is necessary (Voltage Transient Suppressor) if the load dump peak voltage exceeds  $V_{CC}$  max DC rating. The same applies if the device will be subject to transients on the  $V_{CC}$  line that are greater than the ones shown in the ISO T/R 7637/1 table.



**μC I/Os PROTECTION:**

If a ground protection network is used and negative transient are present on the V<sub>CC</sub> line, the control pins will be pulled negative. ST suggests to insert a resistor (R<sub>prot</sub>) in line to prevent the μC I/Os pins to latch-up.

The value of these resistors is a compromise between the leakage current of μC and the current required by the HSD I/Os (Input levels compatibility) with the latch-up limit of μC I/Os.

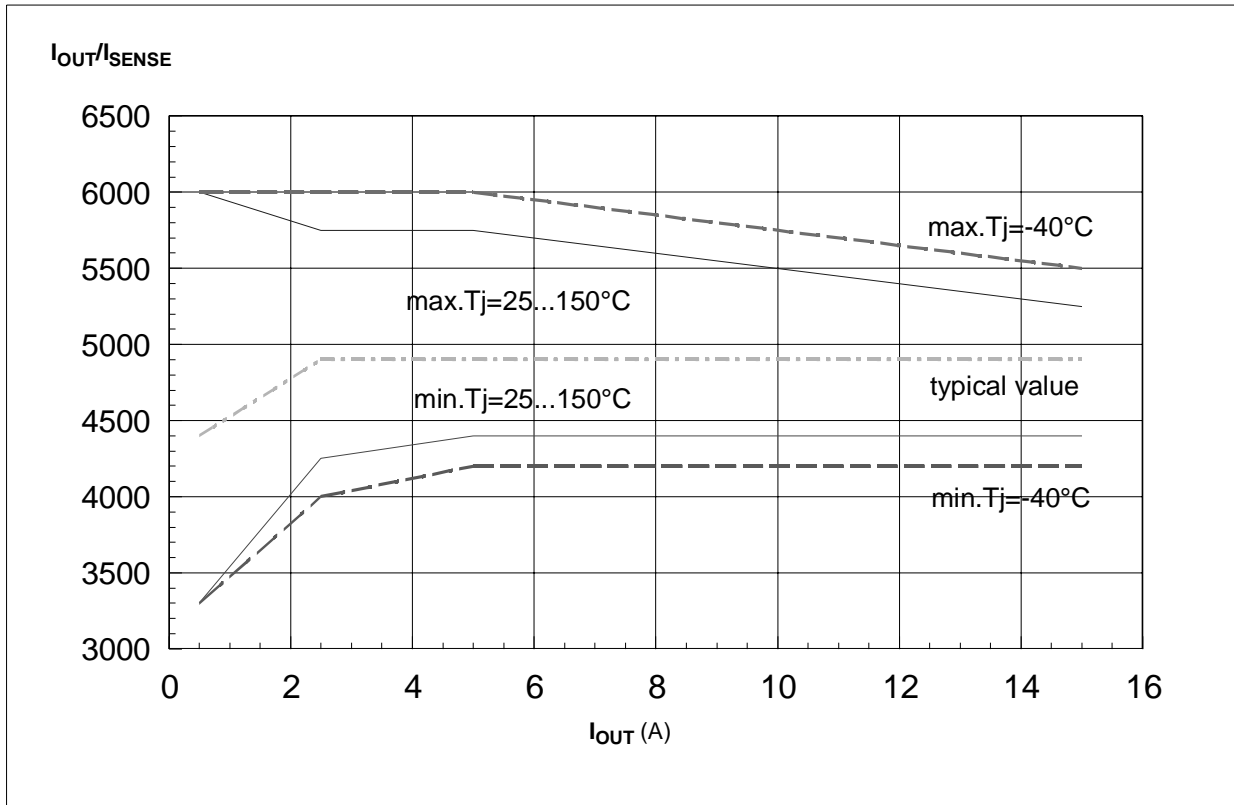
$$-V_{CCpeak}/I_{latchup} \leq R_{prot} \leq (V_{OH\mu C} - V_{IH} - V_{GND}) / I_{IHmax}$$

Calculation example:

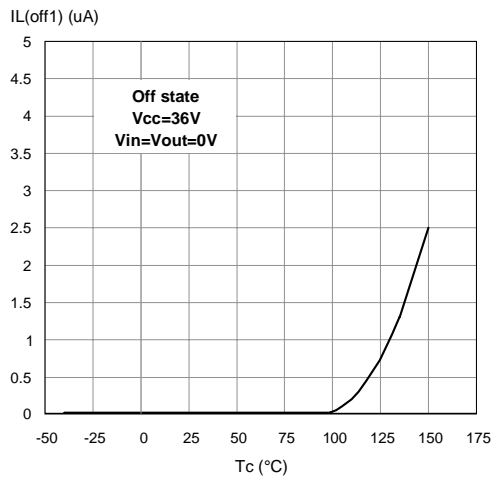
For V<sub>CCpeak</sub> = -100V and I<sub>latchup</sub> ≥ 20mA; V<sub>OHμC</sub> ≥ 4.5V  
 5kΩ ≤ R<sub>prot</sub> ≤ 65kΩ.

Recommended R<sub>prot</sub> value is 10kΩ.

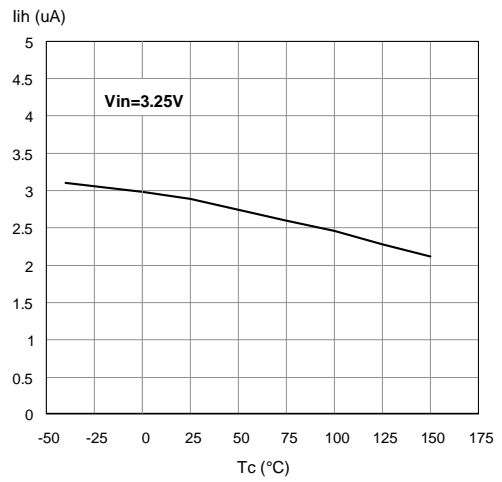
**Figure 3:** I<sub>OUT</sub>/I<sub>SENSE</sub> versus I<sub>OUT</sub>



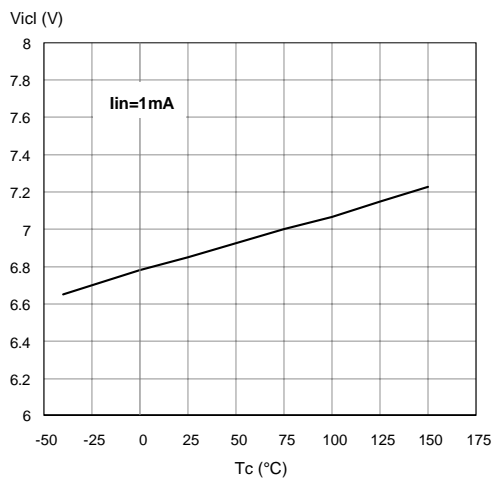
Off State Output Current



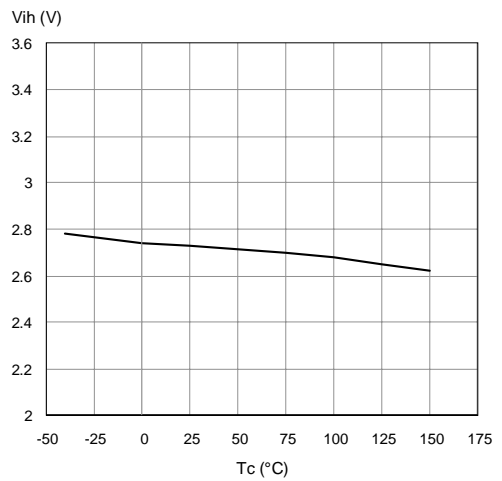
High Level Input Current



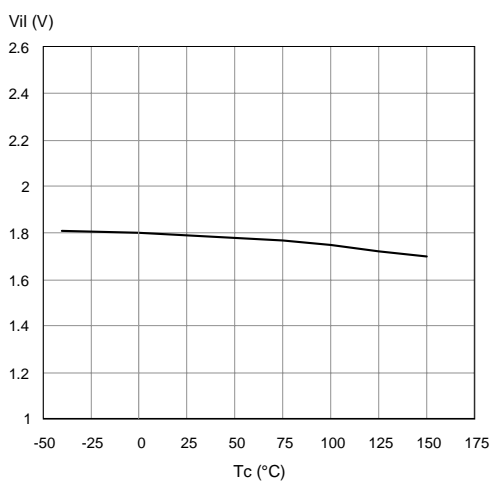
Input Clamp Voltage



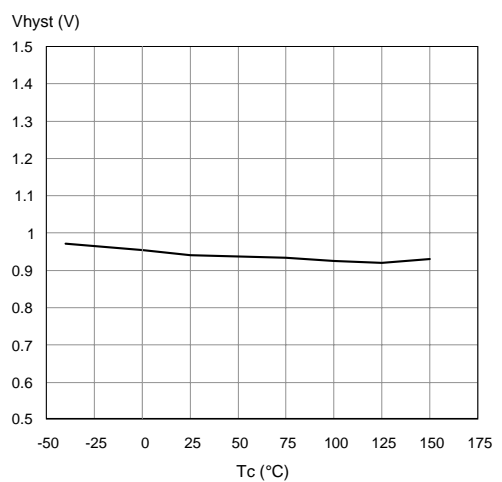
Input High Level



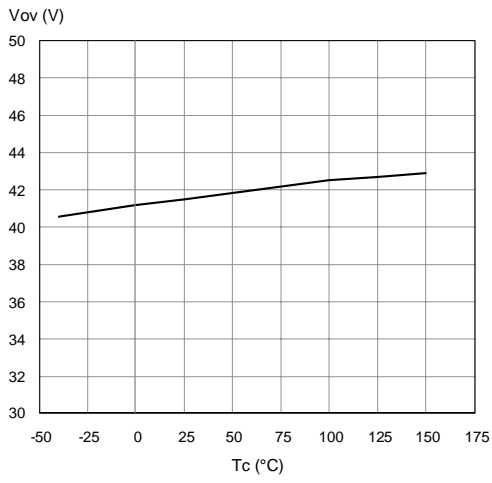
Input Low Level



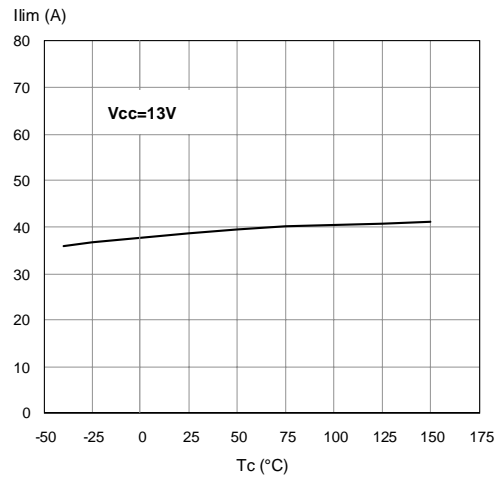
Input Hysteresis Voltage



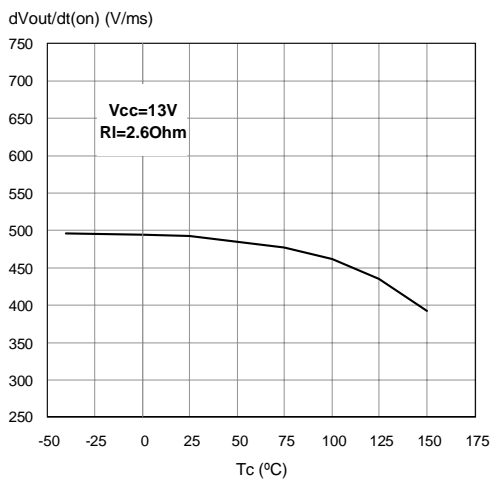
Overvoltage Shutdown



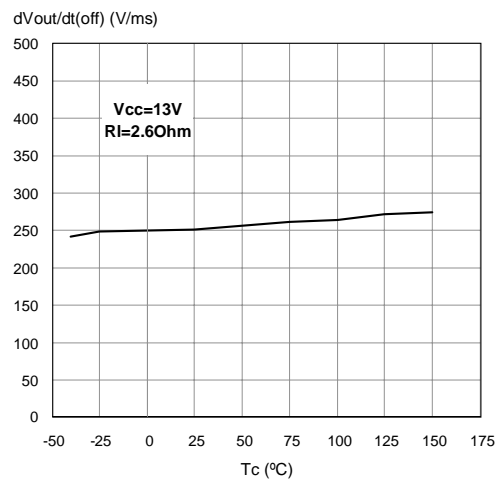
I<sub>LIM</sub> Vs T<sub>case</sub>



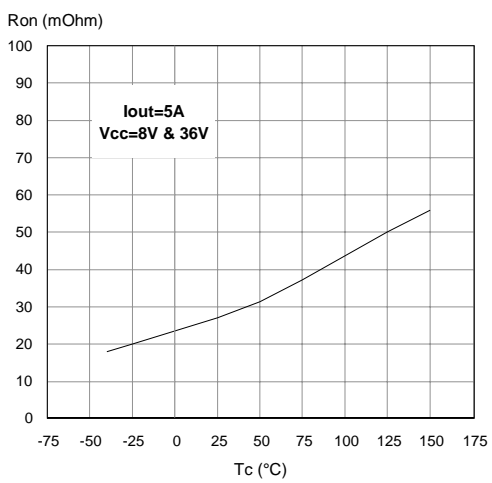
Turn-on Voltage Slope



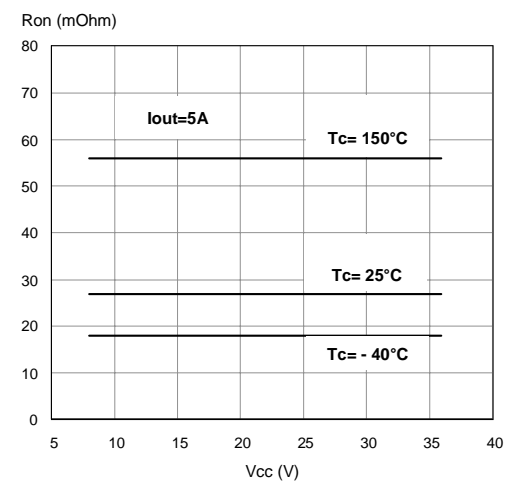
Turn-off Voltage Slope



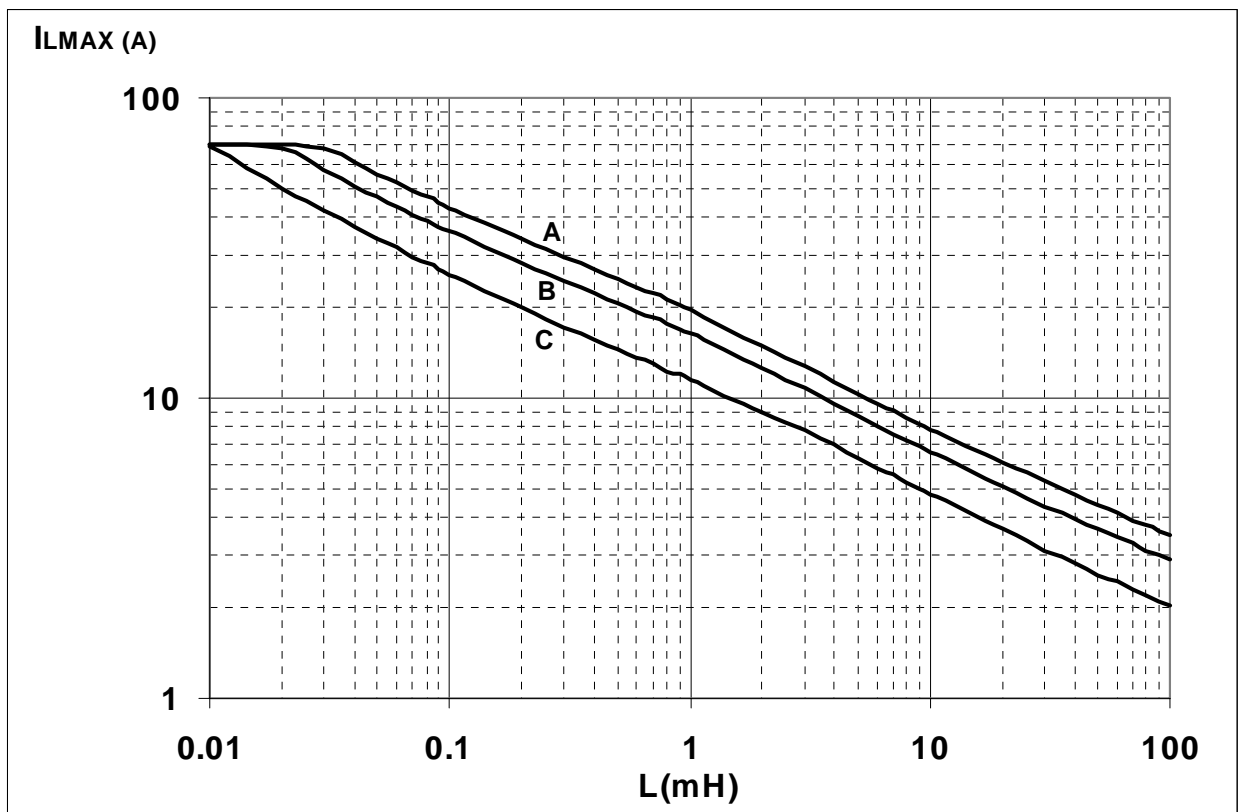
On State Resistance Vs T<sub>case</sub>



On State Resistance Vs V<sub>CC</sub>



SO-16L Maximum turn off current versus load inductance



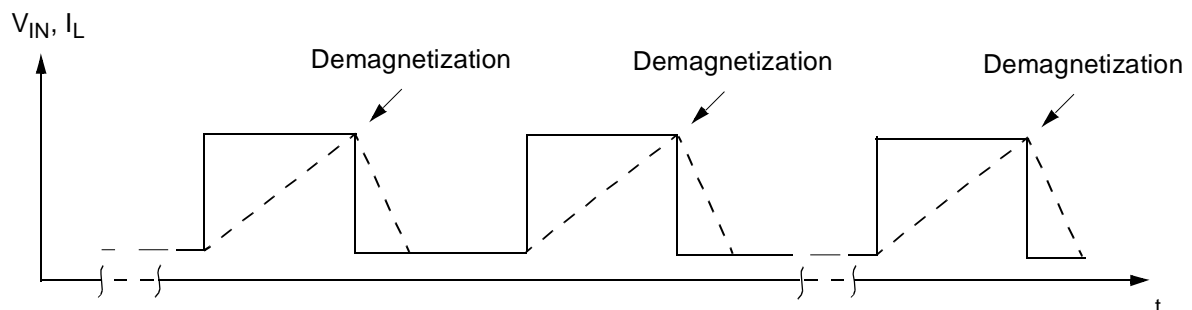
- A = Single Pulse at  $T_{Jstart}=150^{\circ}C$
- B= Repetitive pulse at  $T_{Jstart}=100^{\circ}C$
- C= Repetitive Pulse at  $T_{Jstart}=125^{\circ}C$

Conditions:

$V_{CC}=13.5V$


Values are generated with  $R_L=0\Omega$

In case of repetitive pulses,  $T_{jstart}$  (at beginning of each demagnetization) of every pulse must not exceed the temperature specified above for curves B and C.



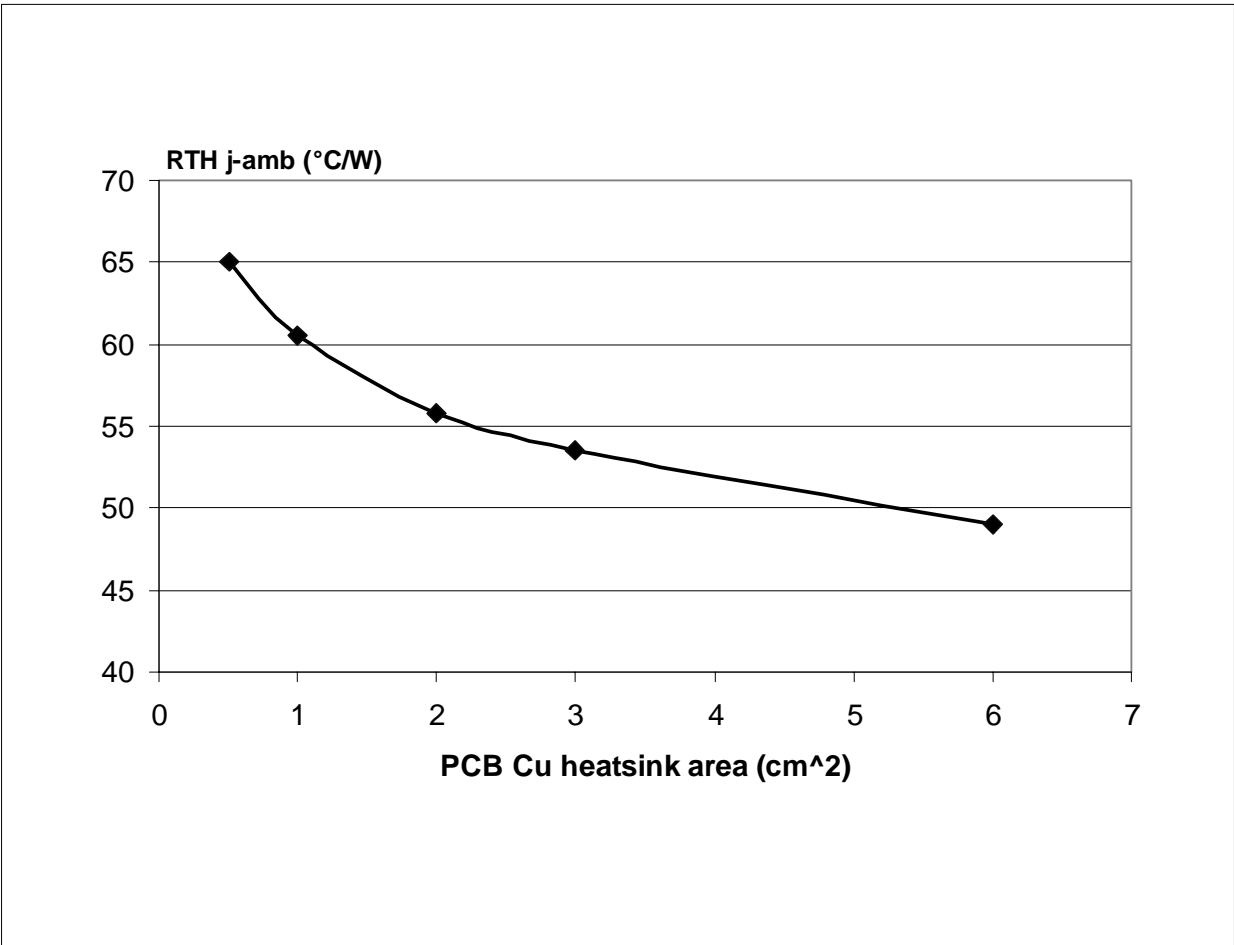
**SO-16L THERMAL DATA**

**SO-16L PC Board**

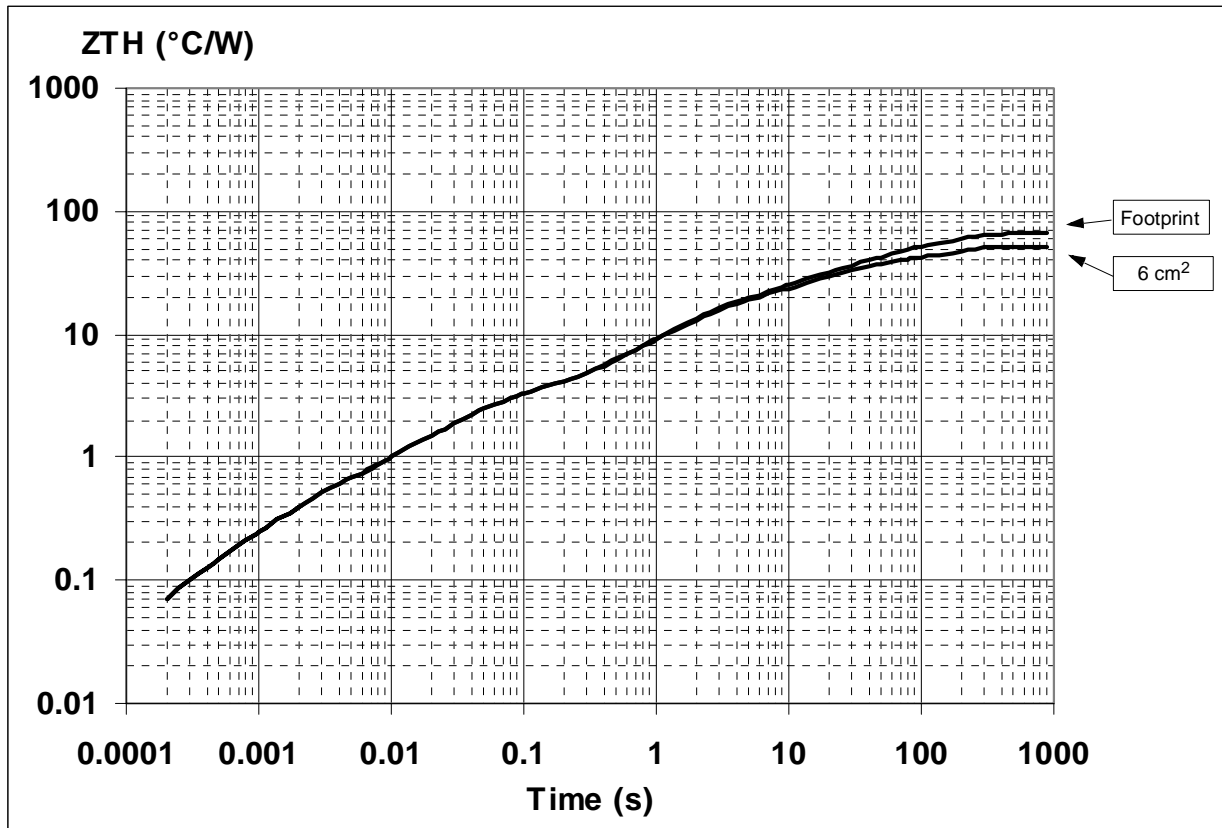


Layout condition of  $R_{th}$  and  $Z_{th}$  measurements (PCB FR4 area= 41mm x 48mm, PCB thickness=2mm, Cu thickness=35 $\mu$ m, Copper areas: 0.5cm<sup>2</sup>, 6cm<sup>2</sup>).

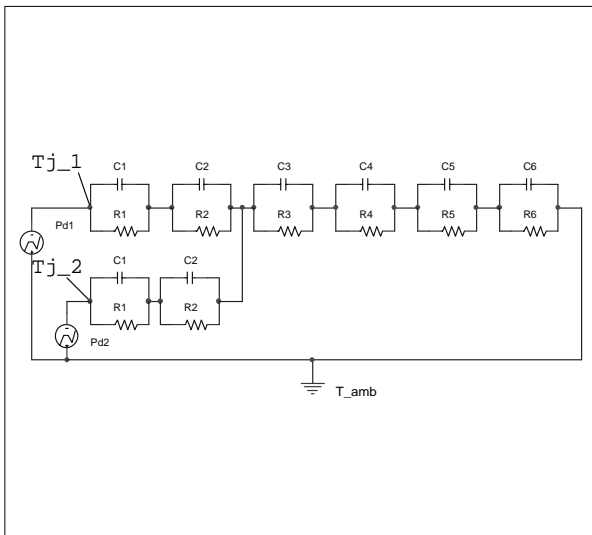
**$R_{thj-amb}$  Vs PCB copper area in open box free air condition**



SO-16L Thermal Impedance Junction Ambient Single Pulse



Thermal fitting model of a double channel HSD in SO-16L



Pulse calculation formula

$$Z_{TH\delta} = R_{TH} \cdot \delta + Z_{THip}(1 - \delta)$$

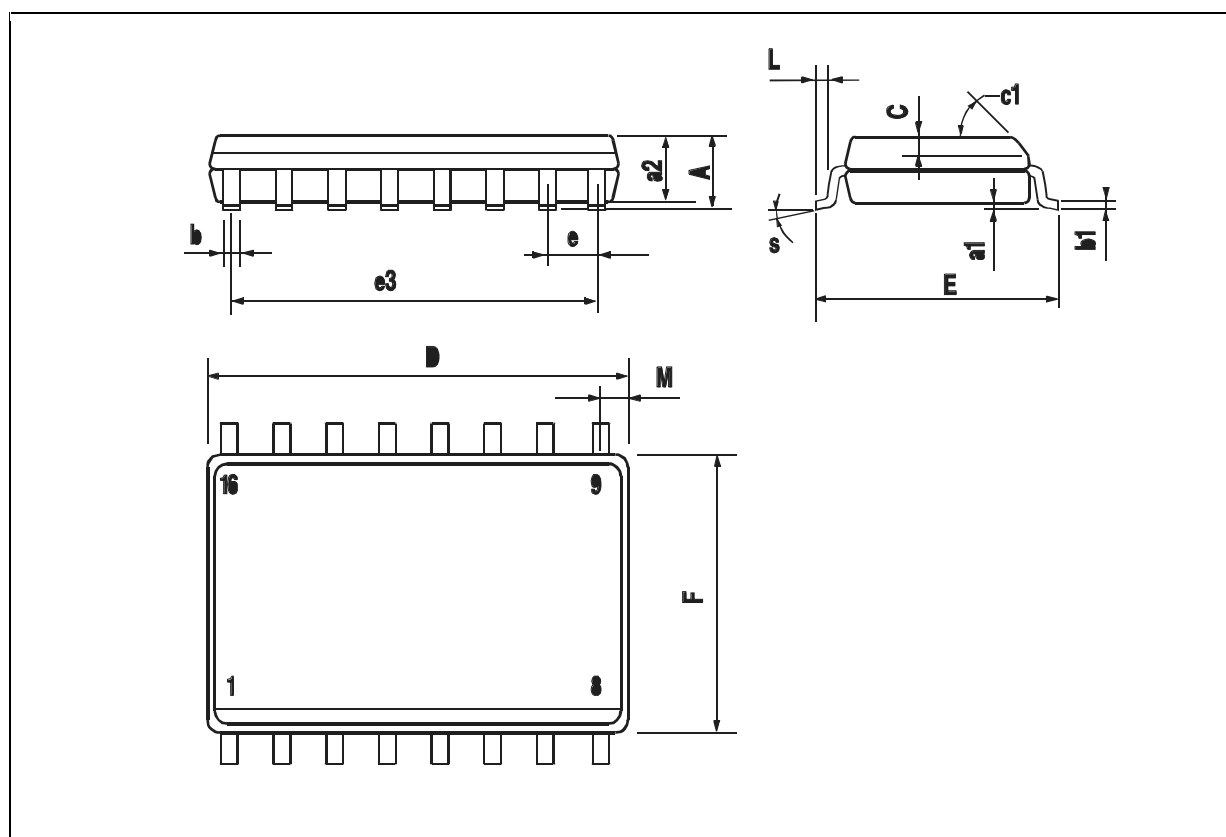
where  $\delta = t_p/T$

Thermal Parameter

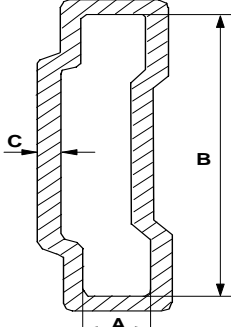
| Area/island (cm <sup>2</sup> ) | Footprint | 6  |
|--------------------------------|-----------|----|
| R1 (°C/W)                      | 0.05      |    |
| R2 (°C/W)                      | 0.3       |    |
| R3 (°C/W)                      | 2.2       |    |
| R4 (°C/W)                      | 12        |    |
| R5 (°C/W)                      | 15        |    |
| R6 (°C/W)                      | 37        | 22 |
| C1 (W.s/°C)                    | 0.001     |    |
| C2 (W.s/°C)                    | 5.00E-03  |    |
| C3 (W.s/°C)                    | 0.02      |    |
| C4 (W.s/°C)                    | 0.3       |    |
| C5 (W.s/°C)                    | 1         |    |
| C6 (W.s/°C)                    | 3         | 5  |

## SO-16L MECHANICAL DATA

| DIM. | mm.        |      |       | inch  |       |       |
|------|------------|------|-------|-------|-------|-------|
|      | MIN.       | TYP  | MAX.  | MIN.  | TYP.  | MAX.  |
| A    |            |      | 2.65  |       |       | 0.104 |
| a1   | 0.1        |      | 0.2   | 0.004 |       | 0.008 |
| a2   |            |      | 2.45  |       |       | 0.096 |
| b    | 0.35       |      | 0.49  | 0.014 |       | 0.019 |
| b1   | 0.23       |      | 0.32  | 0.009 |       | 0.012 |
| C    |            | 0.5  |       |       | 0.020 |       |
| c1   | 45° (typ.) |      |       |       |       |       |
| D    | 10.1       |      | 10.5  | 0.397 |       | 0.413 |
| E    | 10.0       |      | 10.65 | 0.393 |       | 0.419 |
| e    |            | 1.27 |       |       | 0.050 |       |
| e3   |            | 8.89 |       |       | 0.350 |       |
| F    | 7.4        |      | 7.6   | 0.291 |       | 0.300 |
| L    | 0.5        |      | 1.27  | 0.020 |       | 0.050 |
| M    |            |      | 0.75  |       |       | 0.029 |
| S    | 8° (max.)  |      |       |       |       |       |



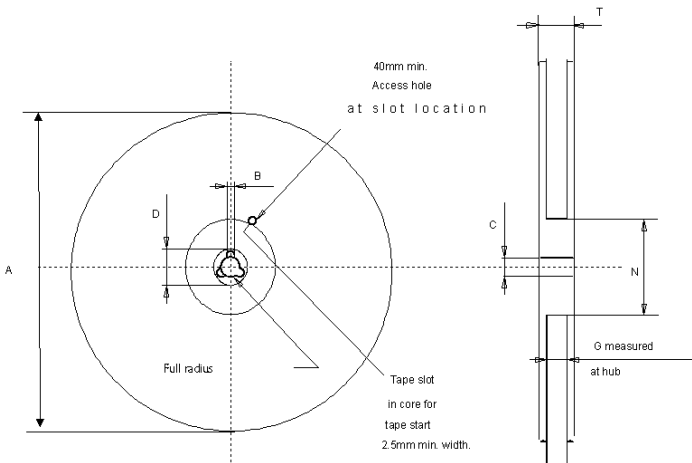
**SO-16L TUBE SHIPMENT (no suffix)**



|   |      |
|---|------|
| <b>Base Q.ty</b>                          | 50   |
| <b>Bulk Q.ty</b>                          | 1000 |
| <b>Tube length (<math>\pm 0.5</math>)</b> | 532  |
| <b>A</b>                                  | 3.5  |
| <b>B</b>                                  | 13.8 |
| <b>C (<math>\pm 0.1</math>)</b>           | 0.6  |

All dimensions are in mm.

**TAPE AND REEL SHIPMENT (suffix "13TR")**



40mm min. Access hole at slot location

Full radius

Tape slot in core for tape start 2.5mm min. width.

G measured at hub

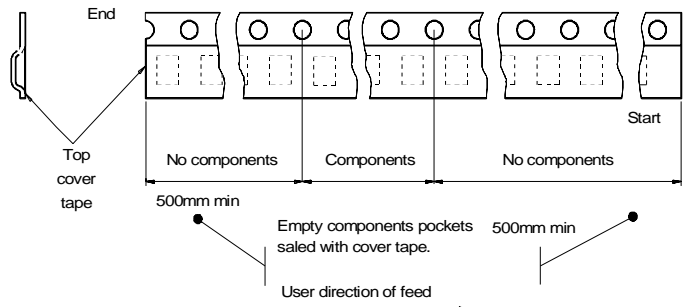
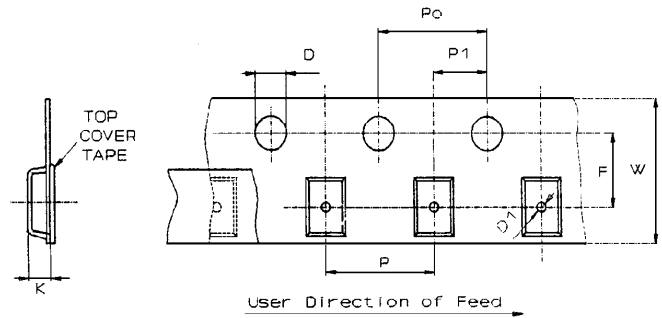
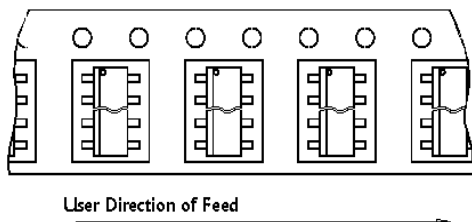
|                                 |      |
|---------------------------------|------|
| <b>Base Q.ty</b>                | 1000 |
| <b>Bulk Q.ty</b>                | 1000 |
| <b>A (max)</b>                  | 330  |
| <b>B (min)</b>                  | 1.5  |
| <b>C (<math>\pm 0.2</math>)</b> | 13   |
| <b>F</b>                        | 20.2 |
| <b>G (+ 2 / -0)</b>             | 16.4 |
| <b>N (min)</b>                  | 60   |
| <b>T (max)</b>                  | 22.4 |

**TAPE DIMENSIONS**

According to Electronic Industries Association (EIA) Standard 481 rev. A, Feb 1986

|                          |                                    |     |
|--------------------------|------------------------------------|-----|
| <b>Tape width</b>        | <b>W</b>                           | 16  |
| <b>Tape Hole Spacing</b> | <b>P0 (<math>\pm 0.1</math>)</b>   | 4   |
| <b>Component Spacing</b> | <b>P</b>                           | 12  |
| <b>Hole Diameter</b>     | <b>D (<math>\pm 0.1/-0</math>)</b> | 1.5 |
| <b>Hole Diameter</b>     | <b>D1 (min)</b>                    | 1.5 |
| <b>Hole Position</b>     | <b>F (<math>\pm 0.05</math>)</b>   | 7.5 |
| <b>Compartment Depth</b> | <b>K (max)</b>                     | 6.5 |
| <b>Hole Spacing</b>      | <b>P1 (<math>\pm 0.1</math>)</b>   | 2   |

All dimensions are in mm.





**REVISION HISTORY**

| Date      | Revision | Description of Changes   |
|-----------|----------|--|
| July 2004 | 1        | <ul style="list-style-type: none"><li>- Current and voltage convention update (page 2).</li><li>- "Configuration diagram (top view) &amp; suggested connections for unused and n.c. pins" insertion (page 2).</li><li>- 6cm<sup>2</sup> Cu condition insertion in Thermal Data table (page 3).</li><li>- V<sub>CC</sub> - OUTPUT DIODE section update (page 3).</li><li>- PROTECTIONS note insertion (page 3).</li><li>- Revision History table insertion (page 17).</li><li>- Disclaimers update (page 18).</li></ul> |
| July 2004 | 2        | <ul style="list-style-type: none"><li>- Suggested connections for unused and n.c.pins" correction (page 2).</li></ul>  |

Information furnished is believed to be accurate and reliable. However, STMicroelectronics assumes no responsibility for the consequences of use of such information nor for any infringement of patents or other rights of third parties which may result from its use. No license is granted by implication or otherwise under any patent or patent rights of STMicroelectronics. Specifications mentioned in this publication are subject to change without notice. This publication supersedes and replaces all information previously supplied. STMicroelectronics products are not authorized for use as critical components in life support devices or systems without express written approval of STMicroelectronics.

The ST logo is a trademark of STMicroelectronics.  
All other names are the property of their respective owners

© 2004 STMicroelectronics - Printed in ITALY- All Rights Reserved.

**STMicroelectronics GROUP OF COMPANIES**

Australia - Belgium - Brazil - Canada - China - Czech Republic - Finland - France - Germany - Hong Kong - India - Israel - Italy - Japan -  
Malaysia - Malta - Morocco - Singapore - Spain - Sweden - Switzerland - United Kingdom - United States  
<http://www.st.com>